

# Pluggable Multi-Pole SPD FLP12.5-275/4(S)

Class I • Class II • Type 1 • Type 2



Location of Use: Main Distribution Boards  
 Network Systems: TN-S  
 Mode of Protection: L-PE, N-PE  
 Surge Ratings:  $I_{imp}$  = up to 12,5 kA (10/350  $\mu$ s)  
 $I_n$  = up to 20 kA (8/20  $\mu$ s)  
 IEC/EN Category: Class I+II / Type 1+2  
 Protective Elements: High Energy MOV  
 Housing: Pluggable Design  
 Compliance: IEC 61643-11:2011  
 EN 61643-11:2012

## Technical Data

FLP12.5-275/4(S)

275

### IEC Electrical

|  |             |                  |
|--|-------------|------------------|
| Nominal AC Voltage (50/60Hz)               | $U_o / U_n$ | 230 V            |
| Maximum Continuous Operating Voltage (AC)  | $U_c$       | 275 V            |
| Nominal Discharge Current (8/20 $\mu$ s)   | $I_n$       | 20 kA            |
| Maximum Discharge Current (8/20 $\mu$ s)   | $I_{max}$   | 50 kA            |
| Impulse Discharge Current (10/350 $\mu$ s) | $I_{imp}$   | 12,5 kA          |
| Specific Energy                            | W/R         | 39 kJ / $\Omega$ |
| Charge                                     | Q           | 6.25 As          |
| Voltage Protection Level                   | $U_p$       | 1500 V           |
| Residual Current at $U_c$                  | $I_{PE}$    | < 0,5 mA         |
| Response Time                              | $t_A$       | < 25 ns          |
| Back-Up Fuse (max)                         |             | 160 A gL / gG    |
| Short-Circuit Current Rating (AC)          | $I_{SCCR}$  | 25 kA            |
| TOV Withstand 5s                           | $U_T$       | 335 V            |
| TOV 120min                                 | $U_T$       | 440 V            |
|  | mode        | Safe Fail        |
| Number of Ports                            |             | 1                |

### Mechanical & Environmental

|                                    |           |  |
|------------------------------------|-----------|--|
| Operating Temperature Range        | $T_a$     | -40 °F to +158 °F [-40 °C to +70 °C]   |
| Permissible Operating Humidity     | RH        | 5%...95%   |
| Atmospheric pressure and altitude  |           | 80k Pa ... 106k Pa / -500 m ... 2000 m   |
| Terminal Screw Torque              | $M_{max}$ | 39.9 lbf-in [4.5 Nm]   |
| Conductor Cross Section (max)      |           | 2 AWG (Solid, Stranded) / 4 AWG (Flexible)<br>35 mm <sup>2</sup> (Solid, Stranded) / 25 mm <sup>2</sup> (Flexible) |
| Mounting                           |           | 35 mm DIN Rail, EN 60715   |
| Degree of Protection               |           | IP 20 (built-in)   |
| Housing Material                   |           | Thermoplastic: Extinguishing Degree UL 94V-0   |
| Thermal Protection                 |           | Yes  |
| Operating State / Fault Indication |           | Green ok / Red defect  |
| Remote Contacts (RC)               |           | Optional   |
| RC Switching Capacity              |           | AC: 250V / 0.5A; DC: 250V / 0.1A; 125V / 0.2A; 75V / 0.5A  |
| RC Conductor Cross Section (max)   |           | 16 AWG (Solid) / 1.5 mm <sup>2</sup> (Solid)   |

### Order Information

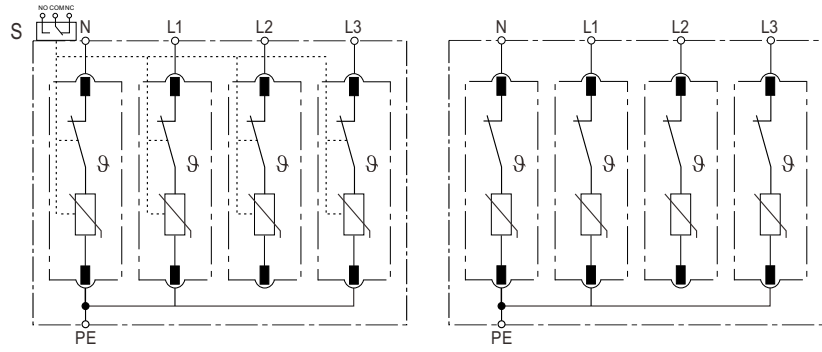
|                                       |         |
|---------------------------------------|---------|
| Ordering Code                         | 275     |
| FLP12.5-275/4                         | 1227541 |
| FLP12.5-275/4S (with remote contacts) | 1227542 |
| FLP12.5-275/0 (spare modules)         | 1227501 |

## FLP12.5-275/4(S)

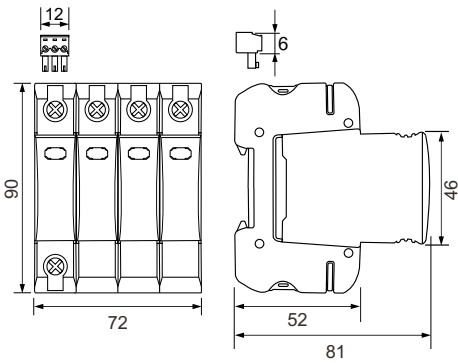
### Internal Configuration

#### Legend

- L Line
- N Neutral
- PE Protective Earth
- S Signalling Contacts Optional



### Dimensions & Packaging

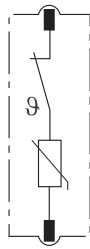


#### Dimensions & Packaging

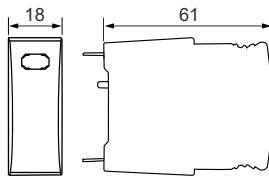
|                                 |                      |
|---------------------------------|----------------------|
| FLP12.5-275/4(S)                | 275                  |
| Single Unit DIN 43880 Dimension | 1 CTN                |
| Packaging Dimensions (HxWxL)    | [200 × 230 × 330 mm] |
| Minimum Order Quantity          | 16 Units             |

### Plug Internal Configuration

#### FLP12.5-275/0



### Dimensions & Packaging



#### Dimensions & Packaging

|                                  |                      |
|----------------------------------|----------------------|
| FLP12.5-275/0                    | 275                  |
| Single Unit DIN 43880 Dimension  | 1 CTN                |
| Packaging Dimensions (H x W x L) | [270 × 230 × 330 mm] |
| Minimum Order Quantity           | 96 Units             |

### Connection Diagram

#### TN-S (Three-phase, 4+0)

